

CHICAGO FAUCETS 

a Geberit company

2100 South Clearwater Drive
Des Plaines, IL 60018
Phone: 847-803-5000
Fax: 847-803-5454
www.chicagofaucets.com

FOR TECHNICAL ASSISTANCE
1-800-TEC-TRUE (1-800-832-8783)

REPAIR PARTS

BY: JAR DATE: 10-24-11

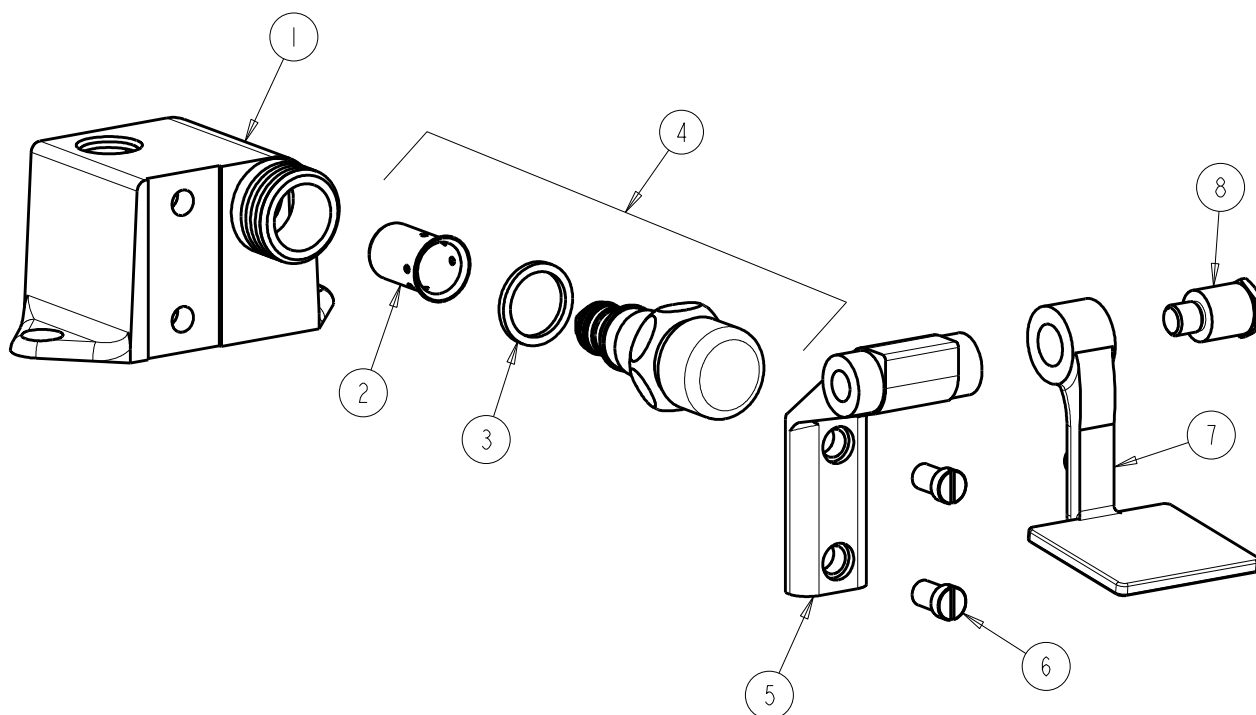
CHK:  REV:

FITTING NO.

628-ABCP

SUBMITTED MODEL NO.

ITEM NO.



ITEM	PART NO.	DESCRIPTION
1	—	VALVE BODY (NOT SOLD SEPERATELY)
2	333-075JKNF	DASHPOT
3	1-043JKNF	GASKET, CAP 1 X .80 X .09
4	628-XJKABNF	CARTRIDGE, PUSH BUTTON
5	625-060JKCP	BRACKET
6	625-006JKNF	SCREW, PAN HEAD 5/16-18 UNC
7	625-258JKNF	PEDAL
8	625-061JKRCF	BOLT, SHOULDER 3/8-24 UNF X 5/8 HEX